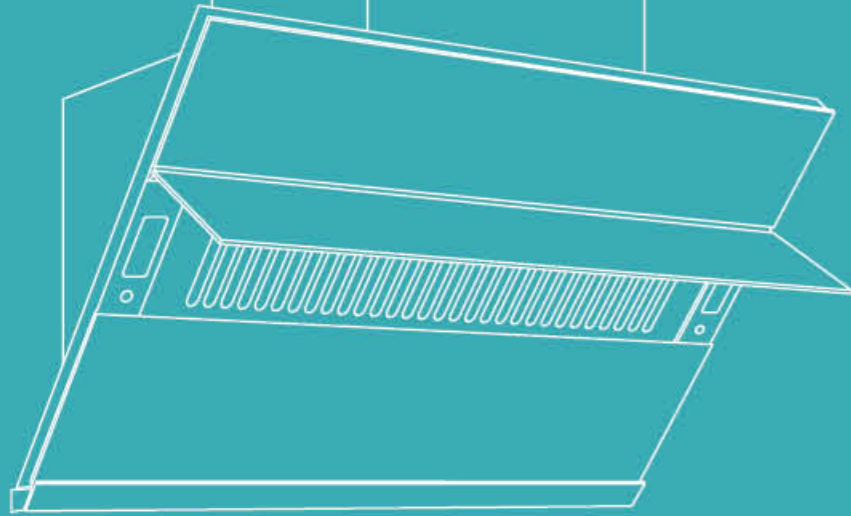
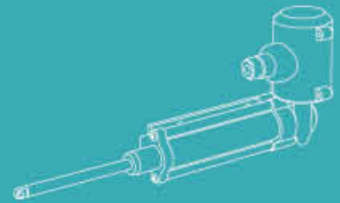


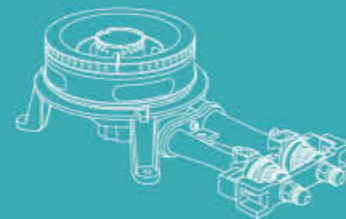
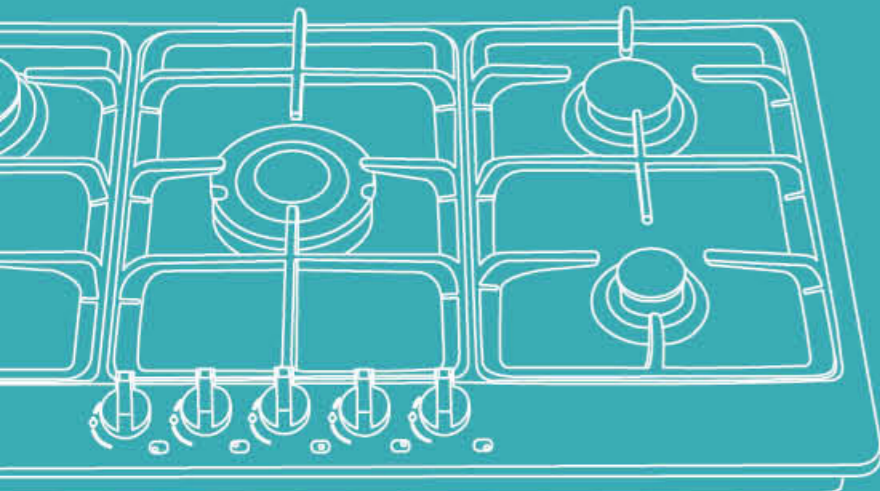
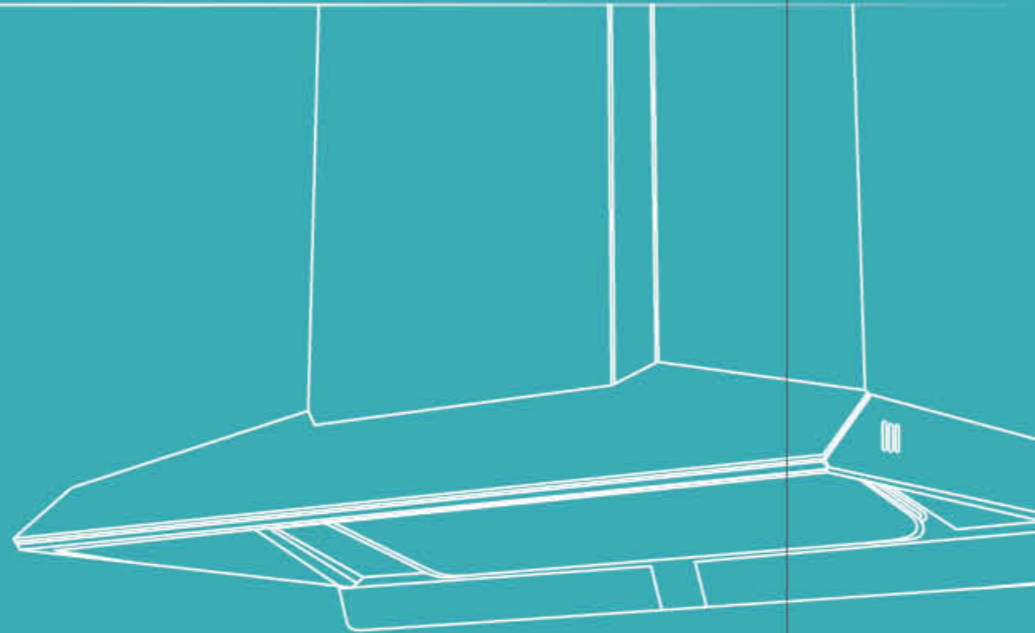
**CALLA**



MOTOR



LINEAR ACTUATOR



BURNER

## CONTENTS

---

- 01 COMPANY INTRODUCTION
- 03 CORPORATE CULTURES
- 04 DEVELOPMENT HISTORY
- 05 MARKETING NETWORK
- 06 SOCIAL RESPONSIBILITY
- 07 PRODUCT INTRODUCTION
- 09 MOTOR
- 15 LINEAR ACTUATOR
- 19 BURNER



## © KAILE NEW ENERGY TECHNOLOGY CO.,LTD.

KAILE NEW ENERGY, as a wholly-owned subsidiary of CALLA, was founded in 2015. It is located on Jiaxing City, Zhejiang. The company, which covers a construction area of 50000 square meters and possesses a total investment of 160 million yuan .

Kaile New Energy, as one of the earliest suppliers for gas hob burners, with more than 10 years manufacturing experience and strong technical strength.

Now Kaile New Energy can offer approximately to 3.5 million sets burners per year. There are about 250 employees now.

开乐新能源作为开乐的全资子公司，成立于2015年，位于浙江省嘉兴市。公司占地面积50000平方米，总投资1.6亿元。

开乐新能源作为中国最早一批的燃气灶炉头供应商，拥有超过10年的制造经验和雄厚的技术实力。

目前开乐新能源壳体提供年产量近350万套炉头，目前拥有员工250余人。



## COMPANY INTRODUCTION

### © NINGBO CALLA MOTOR CO., LTD.

NingBo CALLA Motor Co., Ltd. which is located in the New District of Ningbo Hangzhou Bay. The company covers an area of 60 acres with a construction area of 50000 square meters and total investment of 120 million yuan. CALLA, as a professional manufacturer and ODM designer of motors, Linear actuators in field of Kitchen Appliances. We are well known in Europe, North America, South America, Mid-East, and Southeast Asia.

Up to now, we have passed CCC, GS, CE, ROHS, UL, BSCI, and SGS. CALLA is warmly willing to create better tomorrow with of customer and our staff. We have been working with FOTILE, MIDEA, HAIER etc. NingBo CALLA Motor Co., Ltd. is warmly willing to create better tomorrow with of customer and our staff. CALLA enjoys great popularity both in home and oversea. During the development, CALLA still pay great attention in Chinese Cultures and Charity.

宁波开乐电机有限公司位于宁波杭州湾新区。公司占地面积60亩，建筑面积5万平方米，总投资1.2亿元。开乐作为一家在厨房电器领域电机，推杆的专业制造商和设计师，在欧洲，北美，南美和中东地区享有盛名。

截至目前，我们已通过CCC, GS, CE, ROHS, UL, BSCI 和SGS。CALLA 热忧愿与客户和员工共创美好明天。我们目前的合作伙伴有方太，美的，海尔等。宁波开乐电机公司愿与客户和员工共创美好明天。开乐在海内外享有盛名。发展期间，CALLA 仍然注重国学文化和慈善事业。



© ROHS CERTIFICATE



© SGS CERTIFICATE

# CORPORATE CULTURES

## VISION

Be one of most competitive motor experts in world.



## MISSION

Building a team of happiness in studying, working, and living.



## CORE VALUES

Customer-centric, Striver Oriented.

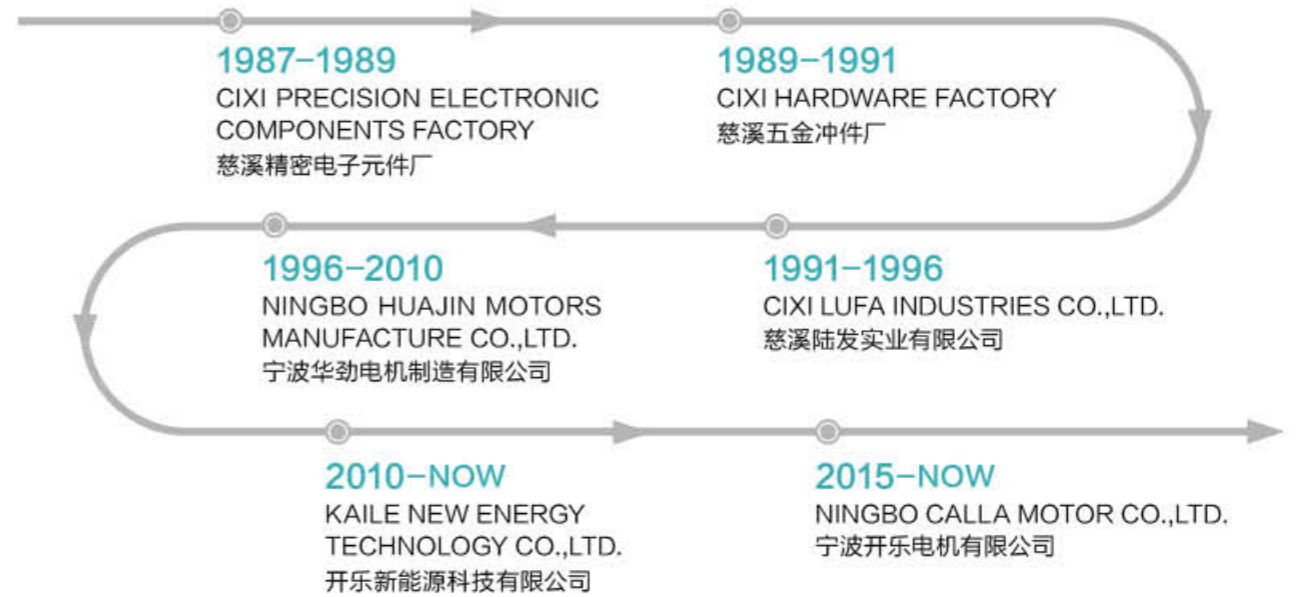


## PHILOSOPHY

Healthy, Royalty, Innovation, Quality.



# DEVELOPMENT HISTORY



# MARKETING NETWORK

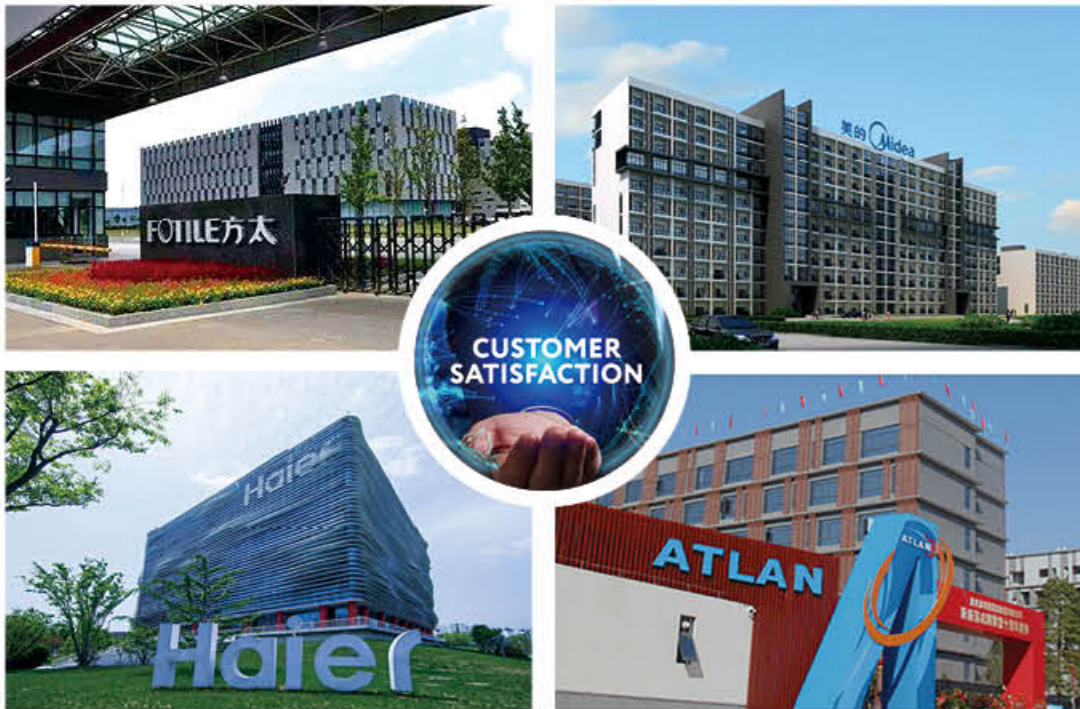
CALLA, as a professional manufacturer and ODM designer of motors, Linear Actuators in field of Kitchen Appliances. we are well known in Europe, North America, South America, Mid-East, and Southeast Asia.

FOTILE 方太

美的 Midea

Haier

ATLAN

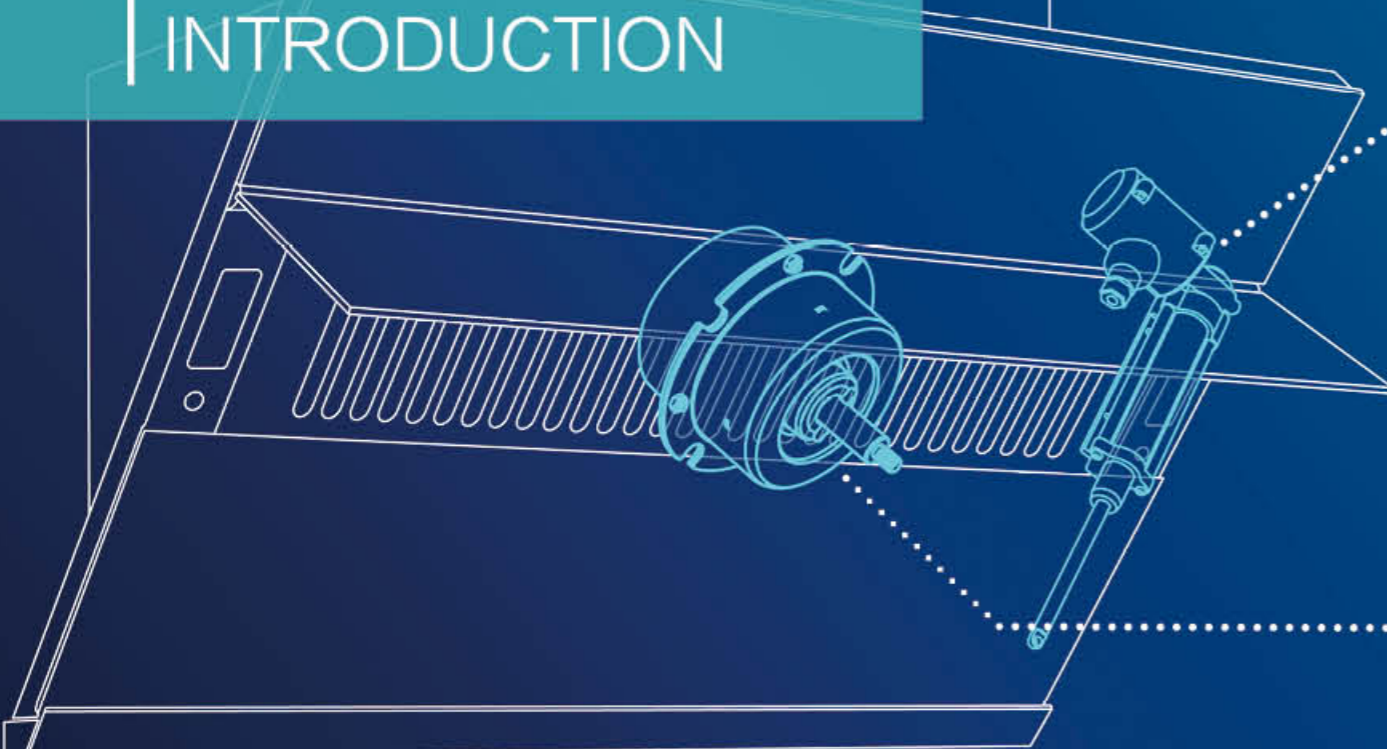


# SOCIAL RESPONSIBILITY

During the development, CALLA still pay great attention in Chinese Cultures and Charity.



# PRODUCT INTRODUCTION



LINEAR ACTUATOR



MOTOR



BURNER



Original Design Manufacture



Original Entrusted Manufacture

CALLA, as one of the earliest solution providers and designers in field of motors, liner actuators, and burners of hoods and gas hobs in domestic, has been of great popularity both at home and overseas, especially in region of North America, Europe, and Southeast-Asia over 30 years of development.

CALLA 作为中国国内最早一批提供烟机电机、推杆、燃气灶炉头的设计师和方案解决, 在 30 多年的发展期间里, 已在海内外享有盛名, 尤其是在北美、欧洲、和东南亚区域。

Customizable

Solution

Quality Control

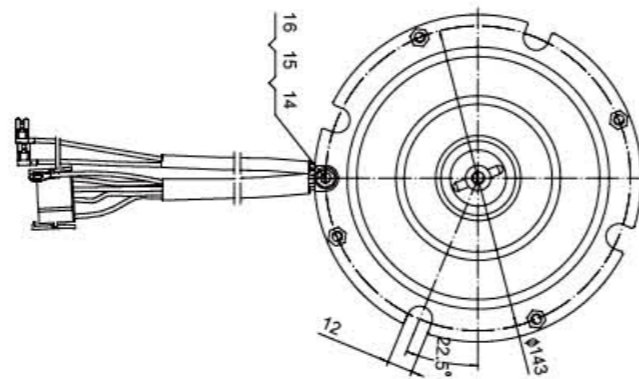
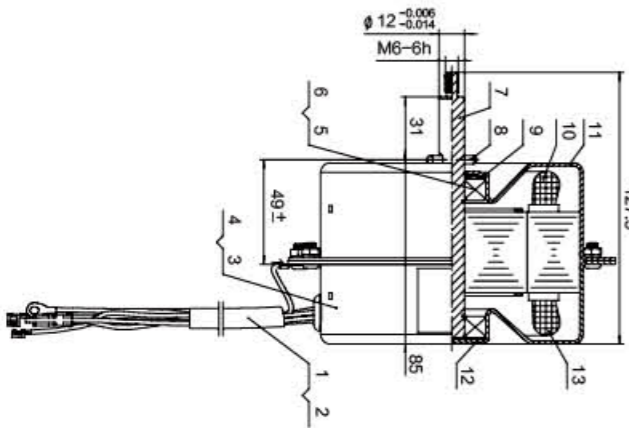
Design

Production



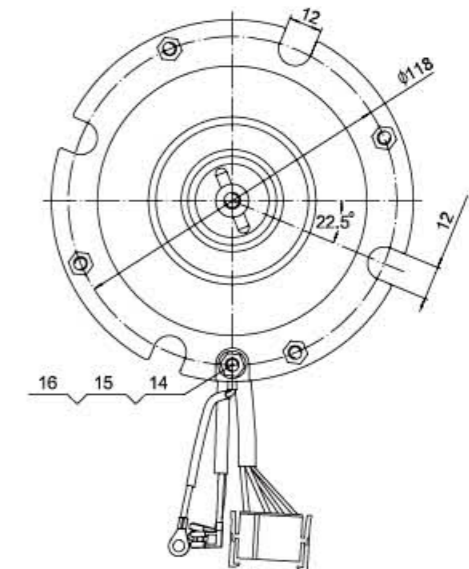
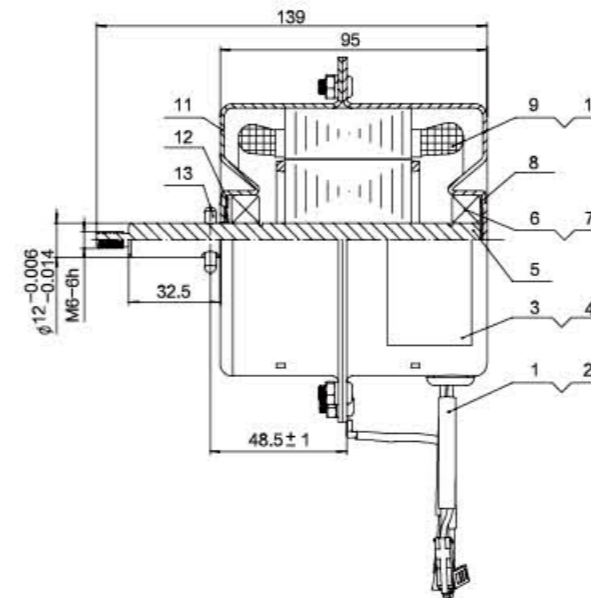
### YPY-120

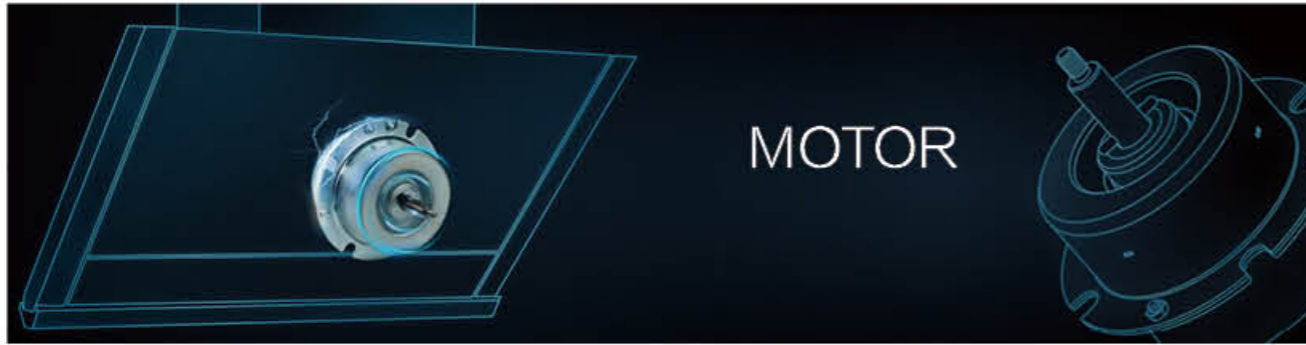
- Type: Rang Hood
- Input Voltage (V): DC220
- Current (A): 0.7
- Rated Power (W): 80
- Insulation Class: B
- Pole: 4
- Rate Speed(Rpm): 1050
- Protection Class: IP44
- Ration: CW



### YPY-94

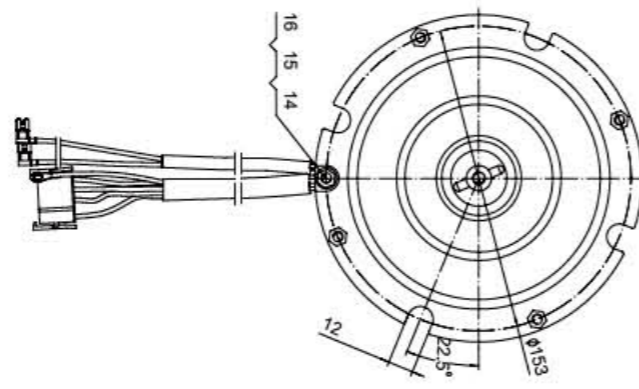
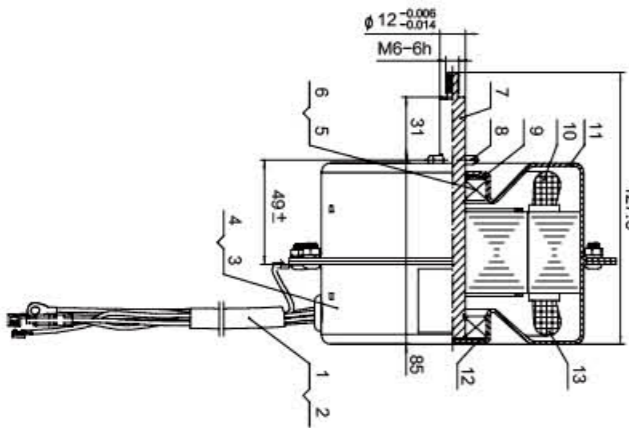
- Type: Rang Hood
- Input Voltage (V): DC220
- Current (A): 0.7
- Rated Power (W): 80
- Insulation Class: B
- Pole: 4
- Rate Speed(Rpm): 1050
- Protection Class: IP44
- Ration: CW





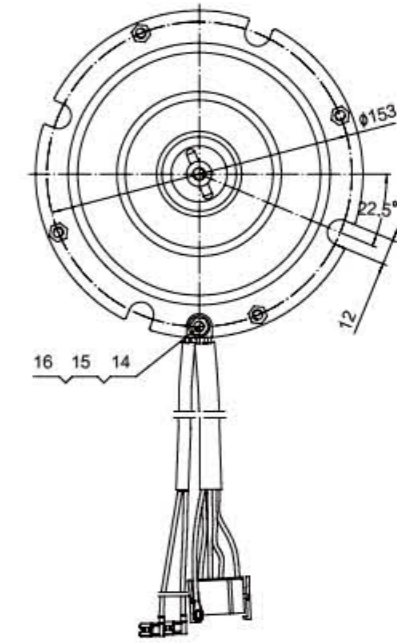
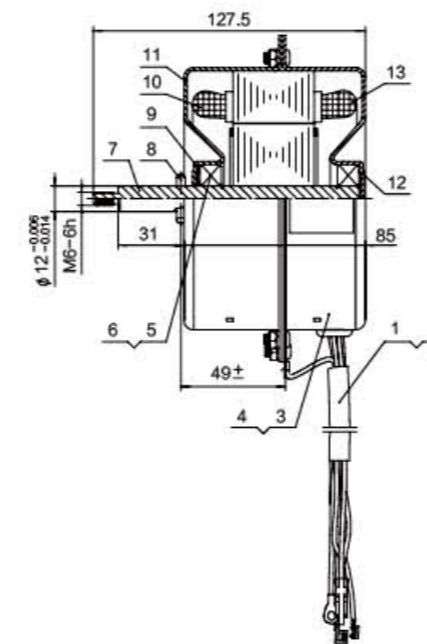
### YPY-130

- Type: Rang Hood
- Input Voltage (V): DC220
- Current (A): 0.7
- Rated Power (W): 80
- Insulation Class: B
- Pole: 4
- Rate Speed(Rpm): 1050
- Protection Class: IP44
- Ration: CW



### YPY-105

- Type: Rang Hood
- Input Voltage (V): DC220
- Current (A): 0.7
- Rated Power (W): 80
- Insulation Class: B
- Pole: 4
- Rate Speed(Rpm): 1050
- Protection Class: IP44
- Ration: CW





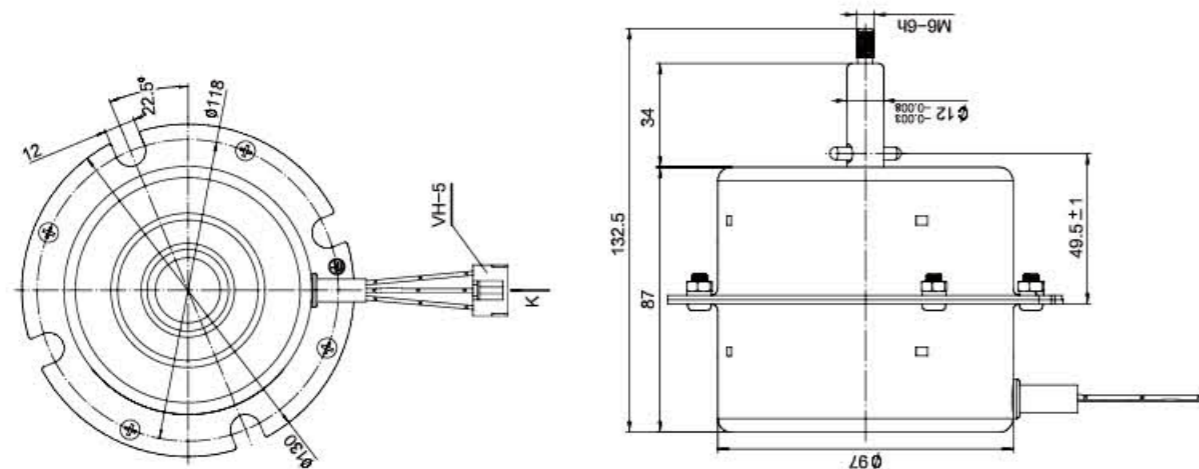


MOTOR



### ZWD-94

- Type: Rang Hood
- Input Voltage (V): DC310
- Current (A): 0.7
- Rated Power (W): 80
- Insulation Class: B
- Pole: 4
- Rate Speed(Rpm): 1050
- Protection Class: IP44
- Ration: CW



### ZWD-94-S

- Type: Rang Hood
- Input Voltage (V): DC310
- Current (A): 0.7
- Rated Power (W): 80
- Insulation Class: B
- Pole: 4
- Rate Speed(Rpm): 1050
- Protection Class: IP44
- Ration: CW



### YPY-80

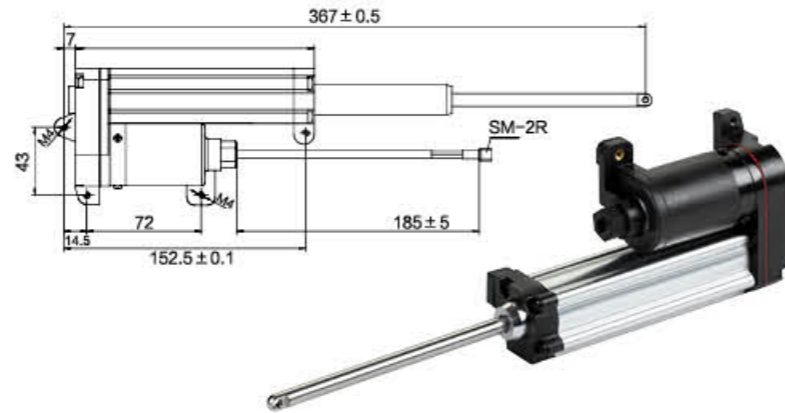
- Type: Rang Hood
- Input Voltage (V): DC220-240
- Current (A): 0.7
- Rated Power (W): 80
- Insulation Class: B
- Pole: 2
- Rate Speed(Rpm): 1050
- Protection Class: IP44
- Ration: CW



# LINEAR ACTUATOR

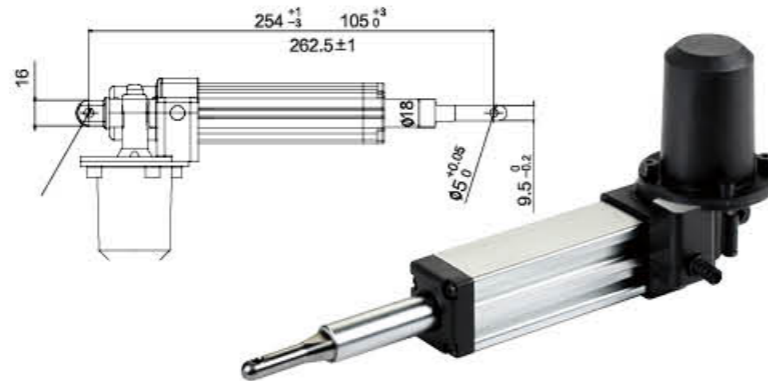
## CK001

- Voltage: DC12V
- Stroke: 81±1 mm
- Force: 75N
- Speed: 15mm/s
- Rated Current (No Load) : < 0.45A
- Power: 5W



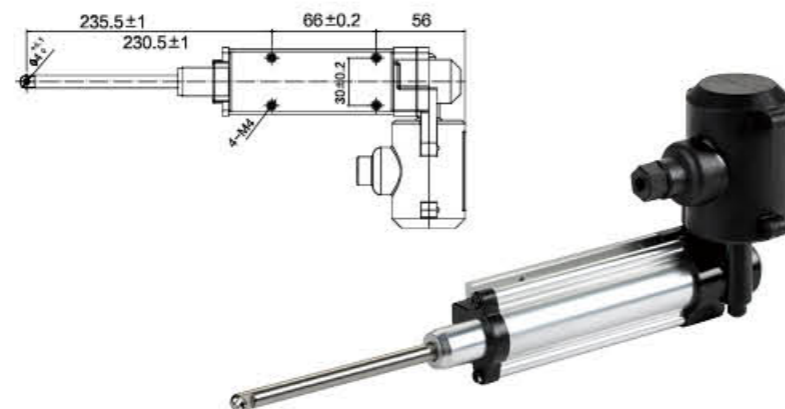
## CK002

- Voltage: DC12V
- Stroke: 105<sup>+3</sup><sub>0</sub> mm
- Force: 150N
- Speed: 7-12mm/s
- Rated Current: ≤ 1.7A
- Power: 5W



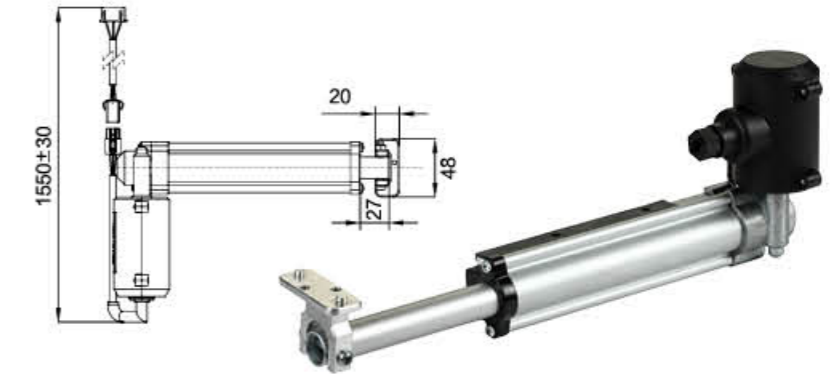
## CK003

- Voltage: DC12V
- Stroke: 81±1 mm
- Force: 90N
- Rated Speed: 20mm/s
- Rated Current (With load) : < 0.8A
- Power: 5W



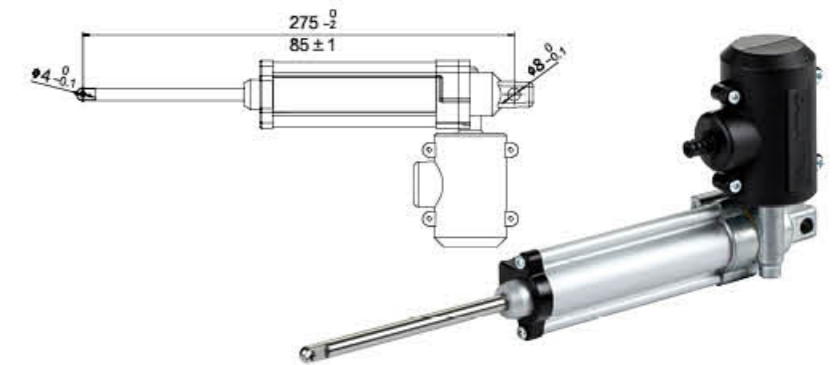
## CK003-2

- Voltage: DC12V
- Stroke: 133<sup>+3</sup><sub>+0</sub> mm
- Force: 60N
- Speed(No Load): 10-14mm/s
- Rated Current(No Load): < 0.15A
- Power: 5W



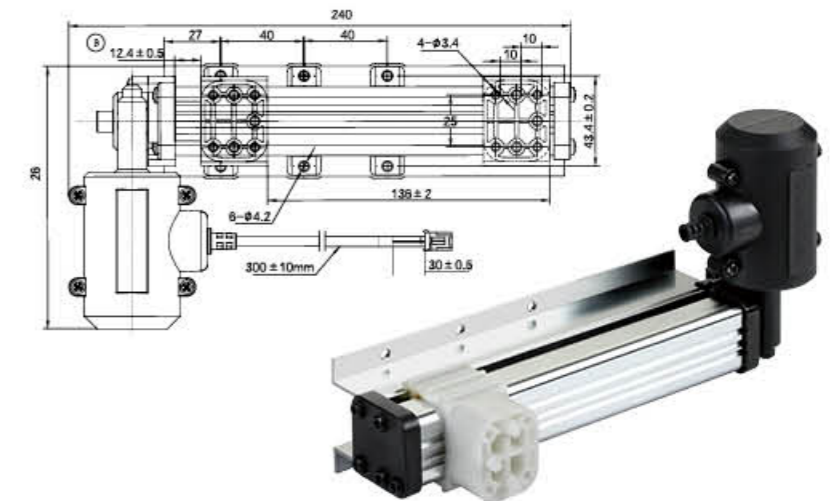
## CK004

- Voltage: DC12V
- Stroke: 85±1 mm
- Force: 80N
- Speed: 7-12mm/s
- Rated Current (With Load) : ≤ 0.9A
- Power: 5W



## CK005

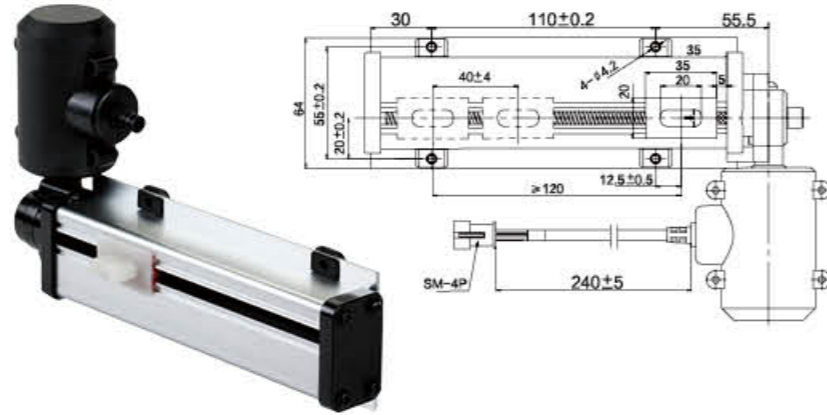
- Voltage: DC12V
- Stroke: 136±2 mm
- Force: 60N
- Speed: 22 mm/s
- Rated Current: ≤ 0.3A
- Power: 6W





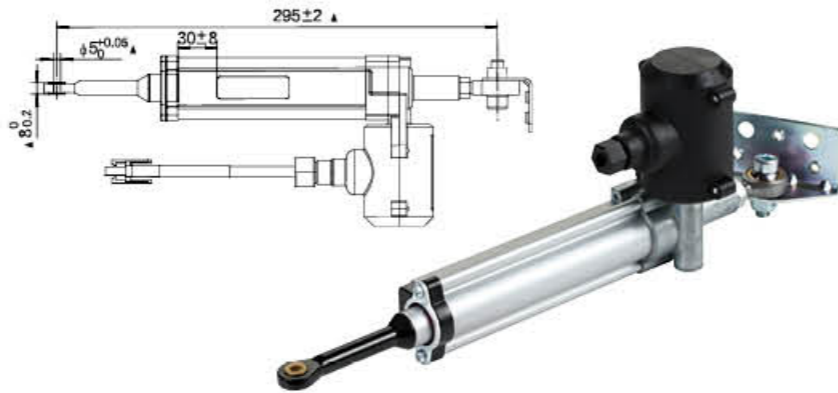
### CK006

- Voltage: DC12V
- Stroke:  $\geq 120$  mm
- Force: 80N
- Speed: 10– 14mm/s
- Noload Current:  $< 0.3A$
- Power: 5W



### CK007

- Voltage: DC12V
- Stroke: 100~104 mm
- Force: 90N
- Speed:  $> 7$ mm/s
- Rated Current:  $\leq 0.9A$
- Power: 6W



### CK008

- Voltage: DC12V
- Stroke: 100~104 mm
- Force: 90N
- Speed:  $> 7$ mm/s
- Rated Current:  $\leq 0.9A$
- Power: 6W



### CK009

- Voltage: DC12V
- Stroke:  $102.5 \pm 1.5$  mm
- Force: 30 N
- Speed: 10– 17mm/s
- Noload Current:  $< 0.15A$
- Power: 6W



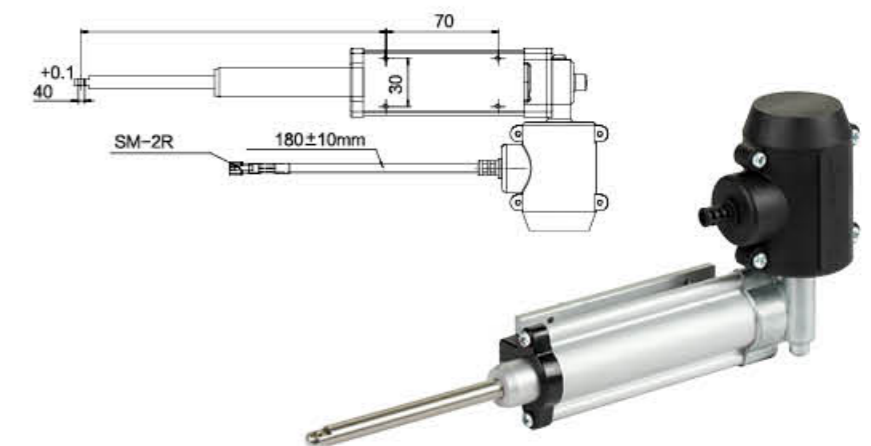
### CK010

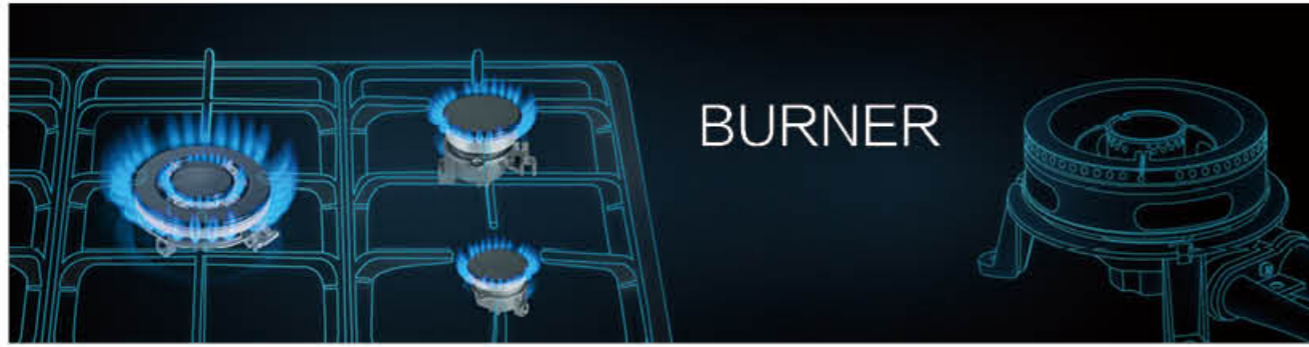
- Voltage: DC12V
- Stroke:  $80 \pm 2$  mm
- Force: 100 N
- Speed: 12– 16mm/s
- Noload Current:  $< 0.15A$
- Power: 6W



### CK011

- Voltage: DC12V
- Stroke:  $77 \pm 1$  mm
- Force: 100N
- Speed: 8.5–12.5mm/s
- Noload Current:  $< 0.5A$
- Power: 5W

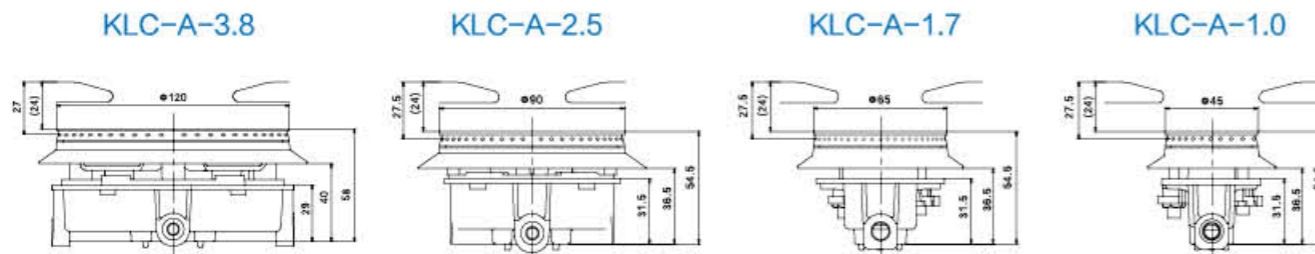




**| KLC-A BURNER**



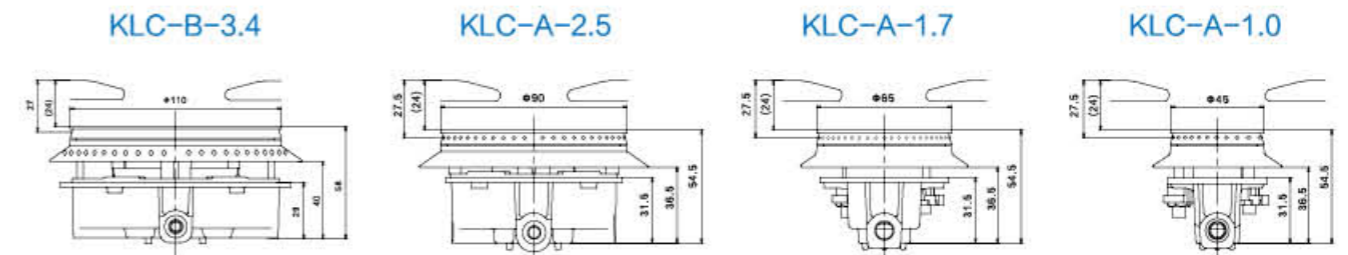
Model	KLC-A-3.8	KLC-A-2.5	KLC-A-1.7	KLC-A-1.0	KLC-A-3.8	KLC-A-2.5	KLC-A-1.7	KLC-A-1.0
Item	KLC-A-3.8	KLC-A-2.5	KLC-A-1.7	KLC-A-1.0	KLC-A-3.8	KLC-A-2.5	KLC-A-1.7	KLC-A-1.0
Testing Standard Gas	G30(LPG)	G30(LPG)	G30(LPG)	G30(LPG)	G20(N.G)	G20(N.G)	G20(N.G)	G20(N.G)
Testing Standard	EN30-1-1							
Power(kw)	3.7	2.24	1.49	0.86	3.80	2.33	1.57	0.93
Nozzle	5-0.45	4-0.40	0.65	0.50	5-0.69	4-0.58	0.98	0.72
CO(ppm)	476	367	70	30	306	300	80	19
Efficiency	57.1	62.2	60		57.3	57.8	55.5	
Flame Lift	NONE	NONE	NONE	NONE	NONE	NONE	NONE	NONE
Light Back	NONE	NONE	NONE	NONE	NONE	NONE	NONE	NONE
Minimum Power(kw)	2.0	1.5	0.8	0.4	2.0	1.5	0.8	0.4



**| KLC-B BURNER**



Model	KLC-B-3.4	KLC-A-2.5	KLC-A-1.7	KLC-A-1.0	KLC-B-3.4	KLC-A-2.5	KLC-A-1.7	KLC-A-1.0
Item	KLC-B-3.4	KLC-A-2.5	KLC-A-1.7	KLC-A-1.0	KLC-B-3.4	KLC-A-2.5	KLC-A-1.7	KLC-A-1.0
Testing Standard Gas	G30(LPG)	G30(LPG)	G30(LPG)	G30(LPG)	G20(N.G)	G20(N.G)	G20(N.G)	G20(N.G)
Testing Standard	EN30-1-1							
Power(kw)	3.67	2.24	1.49	0.86	3.64	2.33	1.57	0.93
Nozzle	4-0.49	4-0.40	0.65	0.50	4-0.71	4-0.58	0.98	0.72
CO(ppm)	740	367	70	30	710	300	80	19
Efficiency	56.3	62.2	60		56.7	57.8	55.5	
Flame Lift	NONE	NONE	NONE	NONE	NONE	NONE	NONE	NONE
Light Back	NONE	NONE	NONE	NONE	NONE	NONE	NONE	NONE
Minimum Power(kw)	2.0	1.5	0.8	0.4	2.0	1.5	0.8	0.4





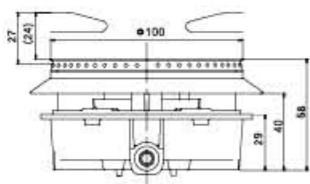
BURNER

| KLC-C BURNER

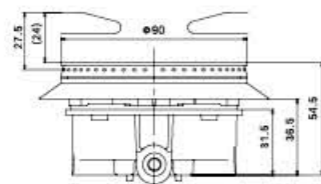


Model	KLC-C-3.0	KLC-A-2.5	KLC-A-1.7	KLC-A-1.0	KLC-C-3.0	KLC-A-2.5	KLC-A-1.7	KLC-A-1.0
Item								
Testing Standard Gas	G30(LPG)	G30(LPG)	G30(LPG)	G30(LPG)	G20(N.G)	G20(N.G)	G20(N.G)	G20(N.G)
Testing Standard	EN30-1-1							
Power(kw)	3.03	2.24	1.49	0.86	3.07	2.33	1.57	0.93
Nozzle	4-0.44	4-0.40	0.65	0.50	4-0.66	4-0.58	0.98	0.72
CO(ppm)	540	367	70	30	630	300	80	19
Efficiency	55.8	62.2	60		56.0	57.8	55.5	
Flame Lift	NONE	NONE	NONE	NONE	NONE	NONE	NONE	NONE
Light Back	NONE	NONE	NONE	NONE	NONE	NONE	NONE	NONE
Minimum Power(kw)	1.8	1.5	0.8	0.4	1.8	1.5	0.8	0.4

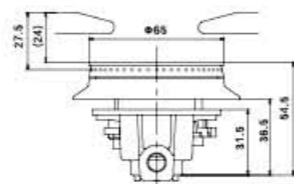
KLC-C-3.0



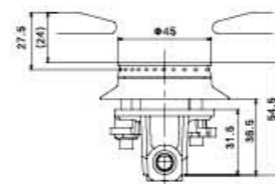
KLC-A-2.5



KLC-A-1.7



KLC-A-1.0

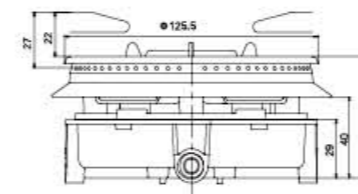


| KLS-A BURNER

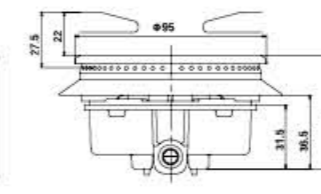


Model	KLS-A-3.8	KLS-A-2.5	KLS-A-1.7	KLS-A-1.0	KLS-A-3.8	KLS-A-2.5	KLS-A-1.7	KLS-A-1.0
Item								
Testing Standard Gas	G30(LPG)	G30(LPG)	G30(LPG)	G30(LPG)	G20(N.G)	G20(N.G)	G20(N.G)	G20(N.G)
Testing Standard	EN30-1-1							
Power(kw)	3.80	2.29	1.62	0.99	3.62	2.26	1.57	1.08
Nozzle	5-0.49	4-0.40	0.65	0.50	5-0.67	4-0.59	0.98	0.72
CO(ppm)	460	450	52	29	248	236	15	19
Efficiency	57.2	61.9	59.9		56.8	62.7	58.3	
Flame Lift	NONE	NONE	NONE	NONE	NONE	NONE	NONE	NONE
Light Back	NONE	NONE	NONE	NONE	NONE	NONE	NONE	NONE
Minimum Power(kw)	2.0	1.5	0.8	0.4	2.0	1.5	0.8	0.4

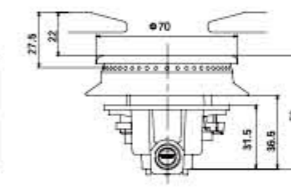
KLS-A-3.8



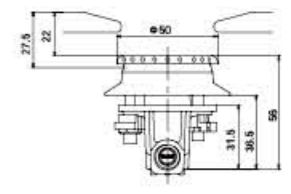
KLS-A-2.5



KLS-A-1.7



KLS-A-1.0



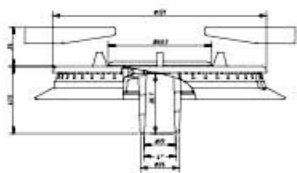


**| KLS-G BURNER**

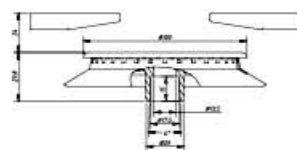


Item	Model	KLS-G-3.8	KLS-G-2.5	KLS-G-1.5	KLG-A-0.8	KLS-G-3.8	KLS-G-2.5	KLS-G-1.5	KLG-A-0.8
Testing Standard Gas		G30(LPG)	G30(LPG)	G30(LPG)	G30(LPG)	G20(N.G)	G20(N.G)	G20(N.G)	G20(N.G)
Testing Standard		EN30-1-1							
Power(kw)		3.80	2.50	1.50	0.80	3.80	2.50	1.50	0.80
Nozzle		5-0.49	4-0.40	0.65	0.48	5-0.67	4-0.59	0.98	0.70
CO(ppm)		450	420	50	3	240	200	15	10
Efficiency		57	61	58		57	61	58	
Flame Lift		NONE	NONE	NONE	NONE	NONE	NONE	NONE	NONE
Light Back		NONE	NONE	NONE	NONE	NONE	NONE	NONE	NONE
Minimum Power(kw)		2.0	1.5	0.8	0.4	2.0	1.5	0.8	0.4

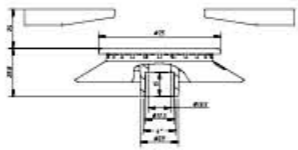
**KLS-G-3.8**



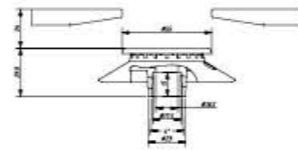
**KLS-G-2.5**



**KLS-G-1.5**



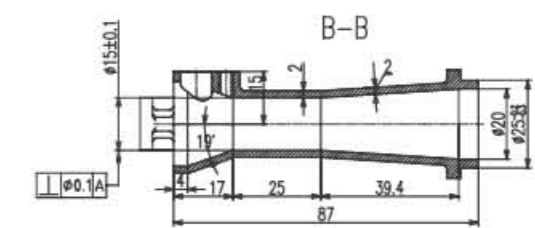
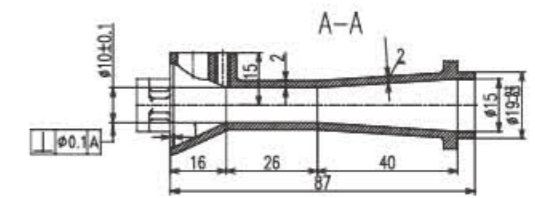
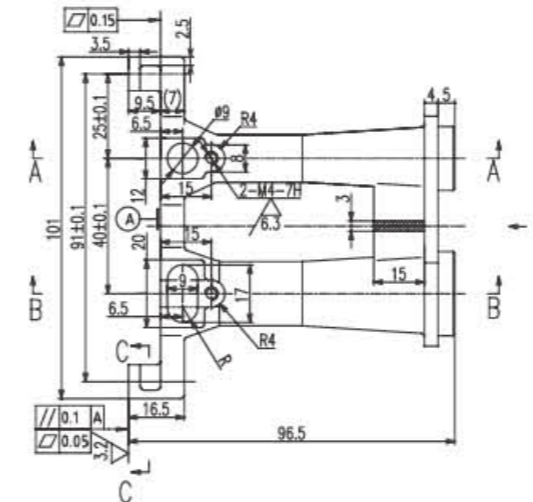
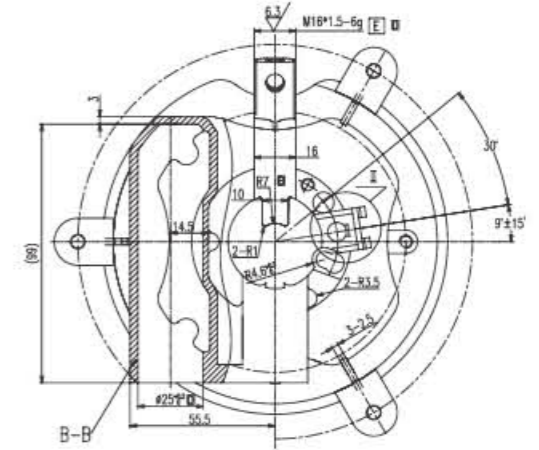
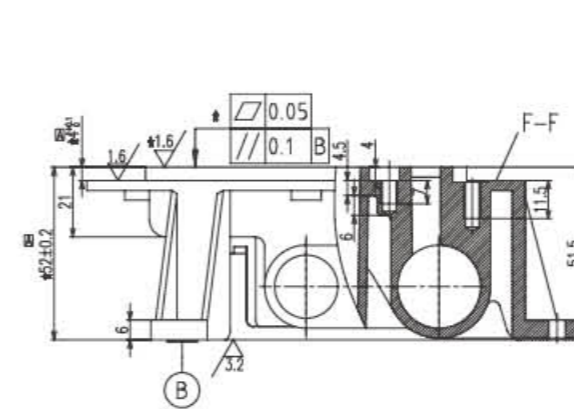
**KLG-A-0.8**



**| KLF BURNER**



Item	Model	KLF-JACB	KLF-JACB	KLF-JA7G	KLF-JA7G
Testing Standard Gas		12T	20Y	12T	20Y
Testing Standard		EN30-1-1			
Power(kw)		3.8	3.6	3.6	3.4
Nozzle		main: 0.65 auxiliary: 0.55	main: 0.6 auxiliary: 0.5	main: 0.96 auxiliary: 0.82	main: 0.9 auxiliary: 0.74
CO (PPM)		240	260	230	245
Efficiency		68	67	67	66
Flame Lift		NONE			
Light Back		NONE			
Minimum Power(KW)		3.1	2.9	3	2.9



**CALLIA**

